

# LED-100W 8V/12V/24V/48V DC

# SPECIFICATIONS

## Standards

Converter meets CE standards  
 Approval by UL as recognized component  
 File # E164062  
 VDE and VDE EMV pending  
 IP67

## Available Versions

- 901100008P-LED 100 DC 8V (European version)
- 901100008PU-LED 100 DC 8V (USA version)
- 901100012P-LED 100 DC 12V (European version)
- 901100012PU-LED 100 DC 12V (USA version)
- 901100024P-LED 100 DC 24V (European version)
- 901100024PU-LED 100 DC 24V (USA version)
- 901100048P-LED 100 DC 48V (European version)
- 901100048PU-LED 100 DC 48V (USA version)

## Mechanical and Thermal

**European version**  
 Dimensions(mm)      230 x 65 x 42  
 Weight                    800 grams  
 Tc Max                    90°C  
 Ta Max                    50°C  
 Output wire – FEP 1.5mm<sup>2</sup> 300/300V 180°C 2 sections  
 Input wire – FEP 0.75mm<sup>2</sup> 300/300V 180°C 2 sections

**USA version**  
 Dimensions (in)      9.06 x 2.56 x 1.65  
 Weight                    28.2 ounces  
 Tc Max                    90°C  
 Output wire – FEP 16AWG 300V 180°C 2 sections  
 Input wire – FEP 18AWG 300V 180°C 3 sections  
 Grounding wire

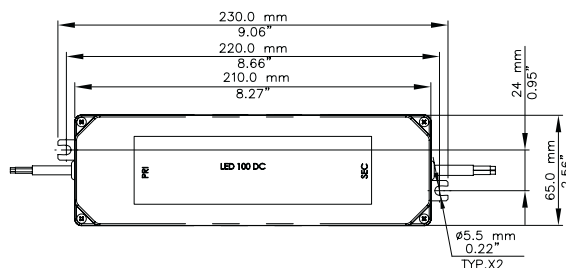
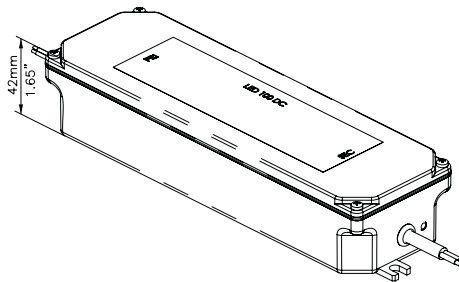


## Electrical

Load	1-100VA
Input Euro. Version	120-240V 50/60Hz
Input USA Version	100-277V 50/60Hz
Output voltage	8V/12V/24V/48V DC ±10%
Efficiency 8V	≥79%
Efficiency 12V	≥81%
Efficiency 24V	≥83%
Efficiency 48V	≥83%
EMC (RFI)	FCC Class A/EN 55015
Harmonics	EN 61000-3-2
Electrostatic Discharge	IEC61000-4-2
EMC Immunity	IEC61000-4-3
Burst	IEC61000-4-4
Surge	IEC61000-4-5
Injected RF	IEC61000-4-6
Mains interruption	IEC61000-4-11
Immunity	EN 61547/61047
Safety	EN 61347-2-2
SELV	

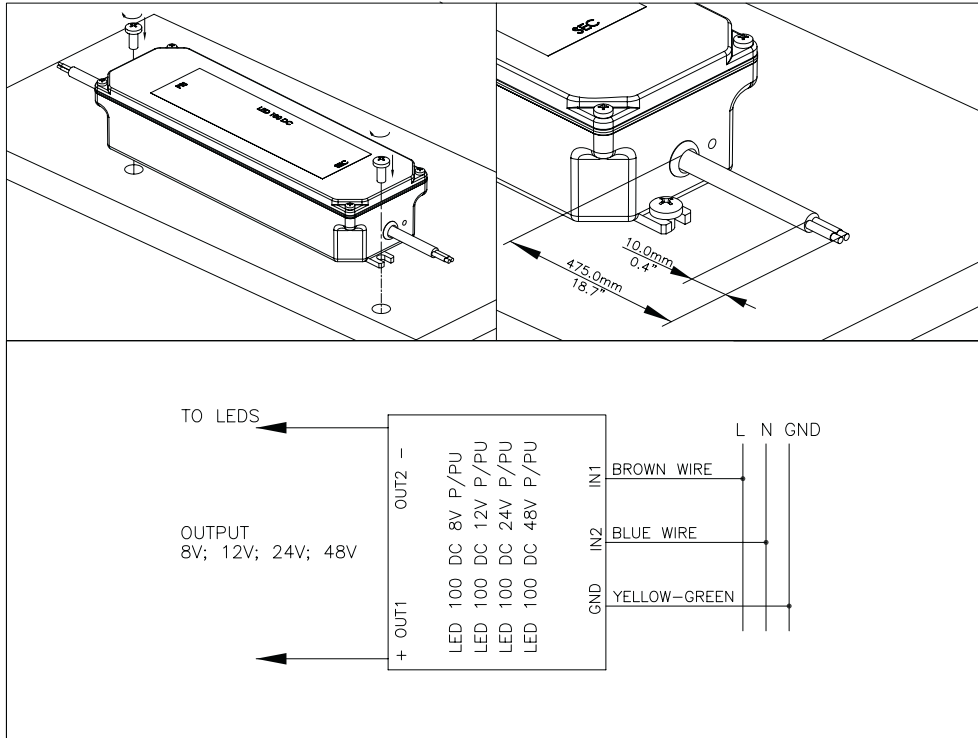
## Protection and Regulation

Electronic internal resettable short circuit protection. Thermal protection and overload regulation.



# LED-100W 8V/12V/24V/48V DC

## Mounting Instructions



## Safety Instructions:

1. Always disconnect power before installation and/or removal of the unit.
2. Install in accordance with national and local electrical codes.
3. Wires: Input – 0.75mm<sup>2</sup> or 18AWG.  
Output – 1.5mm<sup>2</sup> or 16AWG.