

LED-25-8V/12V/24V DC P

SPECIFICATIONS

Standards

Converter meets CE standard
 UL class 2 recognized component
 File # E164062

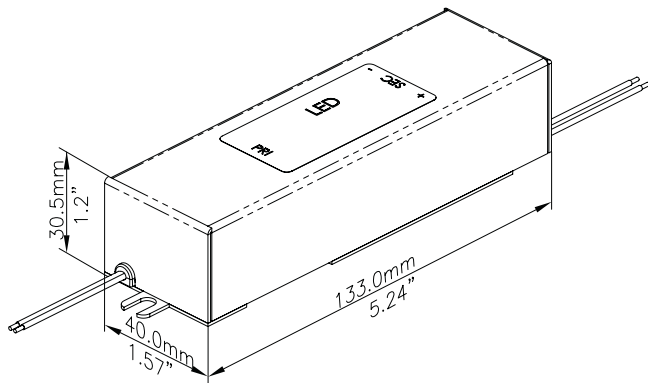
Available Versions

901025008P-LED 25 8V DC P
 901025012P-LED 25 12V DC P
 901025024P-LED 25 24V DC P

Mechanical and Thermal

Dimensions (mm) 30.5 x 40 x 133
 Dimensions (in.) 1.2 x 1.57 x 5.24
 Weight 300 grams, 10.58 ounces
 Tc Max 90°C
 Ta Max 50°C

Aluminium casing
 Output wire 0.75mm²/18 AWG Teflon
 Input wire 0.75mm²/18 AWG 300V
 180°C/200°C
 Waterproof potting



Electrical

Load	1-25VA
Input	100-277V 0/50/60Hz
Output Voltage (Max. load)	8V/12V/24VDC
Efficiency	80%
EMC (RFI)	FCC Class B/EN 55015
Harmonics	EN 61000-3-2
Electrostatic Discharge	IEC61000-4-2
EMC Immunity	IEC61000-4-3
Burst	IEC61000-4-4
Surge	IEC61000-4-5
Injected RF	IEC61000-4-6
Mains interruption	IEC61000-4-11
Immunity	EN 61547/61047
Safety	EN 61347-2-2
SELV	

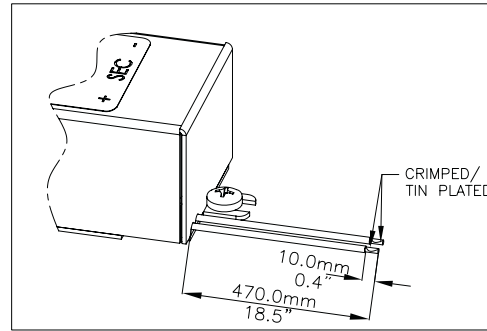
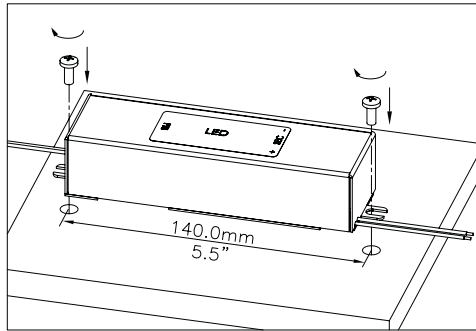
Protection and Regulation

Electronic internal resettable short circuit protection.
 Overload and thermal regulation.
 Voltage Regulation.



LED-25-8V/12V/24V DC P

Mounting Instructions



Safety Instructions:

1. Always disconnect power before installation and/or removal of the unit.
2. Install in accordance with national and local electrical codes.
3. Wires: Input and output wires 0.75mm² or 18AWG.