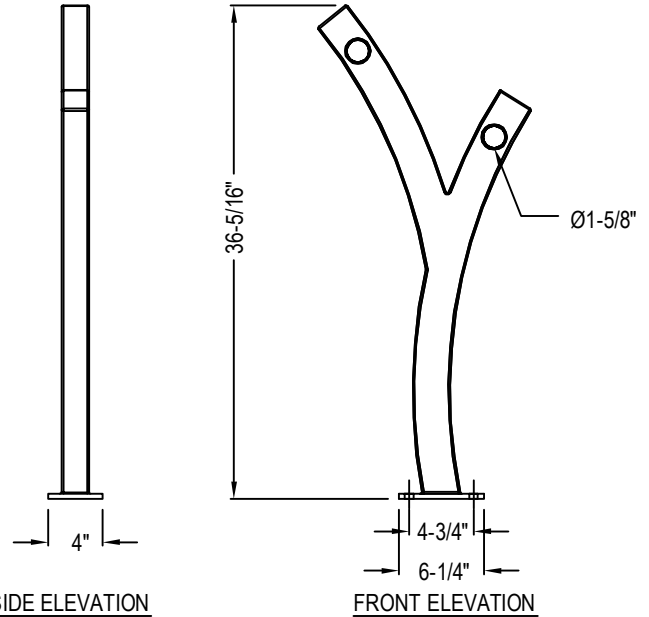


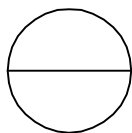
- SELECT DESIRED TEXTURED POWDER COATED COLOR:
- |   |  |
|---|--|
| <input type="checkbox"/> BOSTWICK BROWN | <input type="checkbox"/> OIL RUB BRONZE      |
| <input type="checkbox"/> CARDINAL BLACK | <input type="checkbox"/> NON-TEXTURED PEWTER |
| <input type="checkbox"/> CARDINAL GREY  | <input type="checkbox"/> BENGAL SILVER       |
| <input type="checkbox"/> COLD BROWN     | <input type="checkbox"/> BLACK SUPER TEXTURE |
| <input type="checkbox"/> LAKESIDE SAND  |  |
- SELECT DESIRED CUSTOMIZED SOLUTIONS:
- CUSTOM POWDER COATING (SETUP CHARGES MAY APPLY)
  - INST-1 STAINLESS STEEL BOLT DOWN KIT



**SPECIFICATIONS:**  
 -DURABLE POWDER COATED ALUMINUM FRAME  
**TOTAL HEIGHT:** 36" / 914 MM  
**WIDTH:** 16.5" / 419 MM  
**DEPTH:** 2" / 51 MM  
**WEIGHT:** 51 LBS / 23 KG  
**RECYCLED CONTENT:** 0% RECYCLED CONTENT BY WEIGHT

**NOTES:**

1. INSTALLATION TO BE COMPLETED IN ACCORDANCE WITH MANUFACTURER'S SPECIFICATIONS.
2. DO NOT SCALE DRAWING.
3. THIS DRAWING IS INTENDED FOR USE BY ARCHITECTS, ENGINEERS, CONTRACTORS, CONSULTANTS AND DESIGN PROFESSIONALS FOR PLANNING PURPOSES ONLY. THIS DRAWING MAY NOT BE USED FOR CONSTRUCTION.
4. ALL INFORMATION CONTAINED HEREIN WAS CURRENT AT THE TIME OF DEVELOPMENT BUT MUST BE REVIEWED AND APPROVED BY THE PRODUCT MANUFACTURER TO BE CONSIDERED ACCURATE.
5. CONTRACTOR'S NOTE: FOR PRODUCT AND COMPANY INFORMATION VISIT [www.CADdetails.com/info](http://www.CADdetails.com/info) AND ENTER REFERENCE NUMBER 4289-080.



## BICYCLE RACKS

PARKER 2 SPACE BIKE RACK