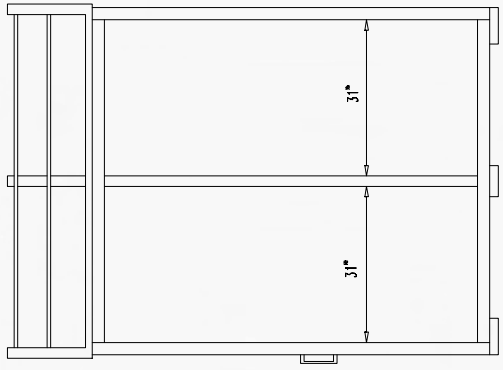
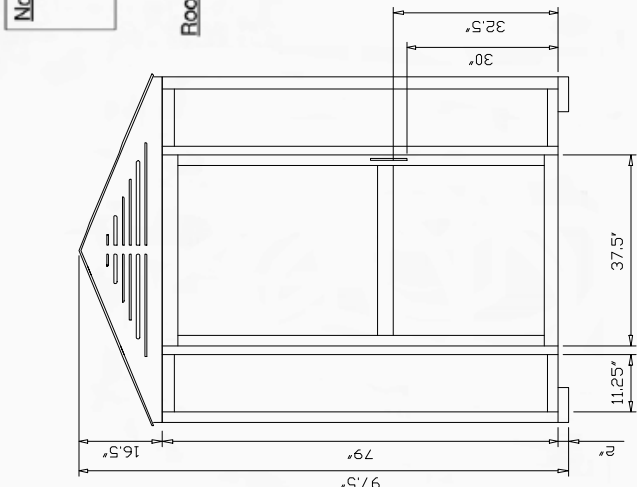


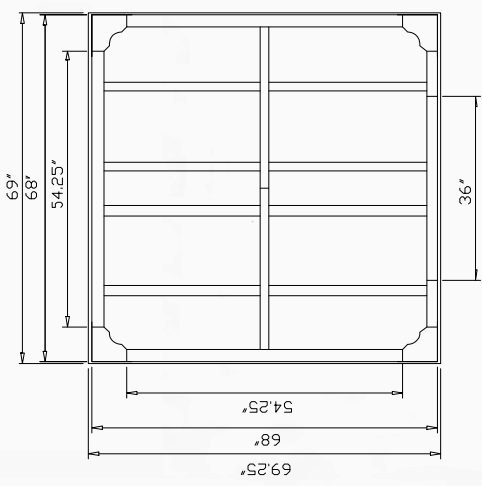
Note: The roof section is attached after all four sections have been properly assembled and ancor in place, and all the plastic wood wall boards are scoured.



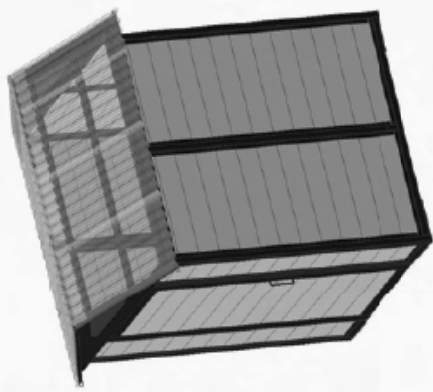
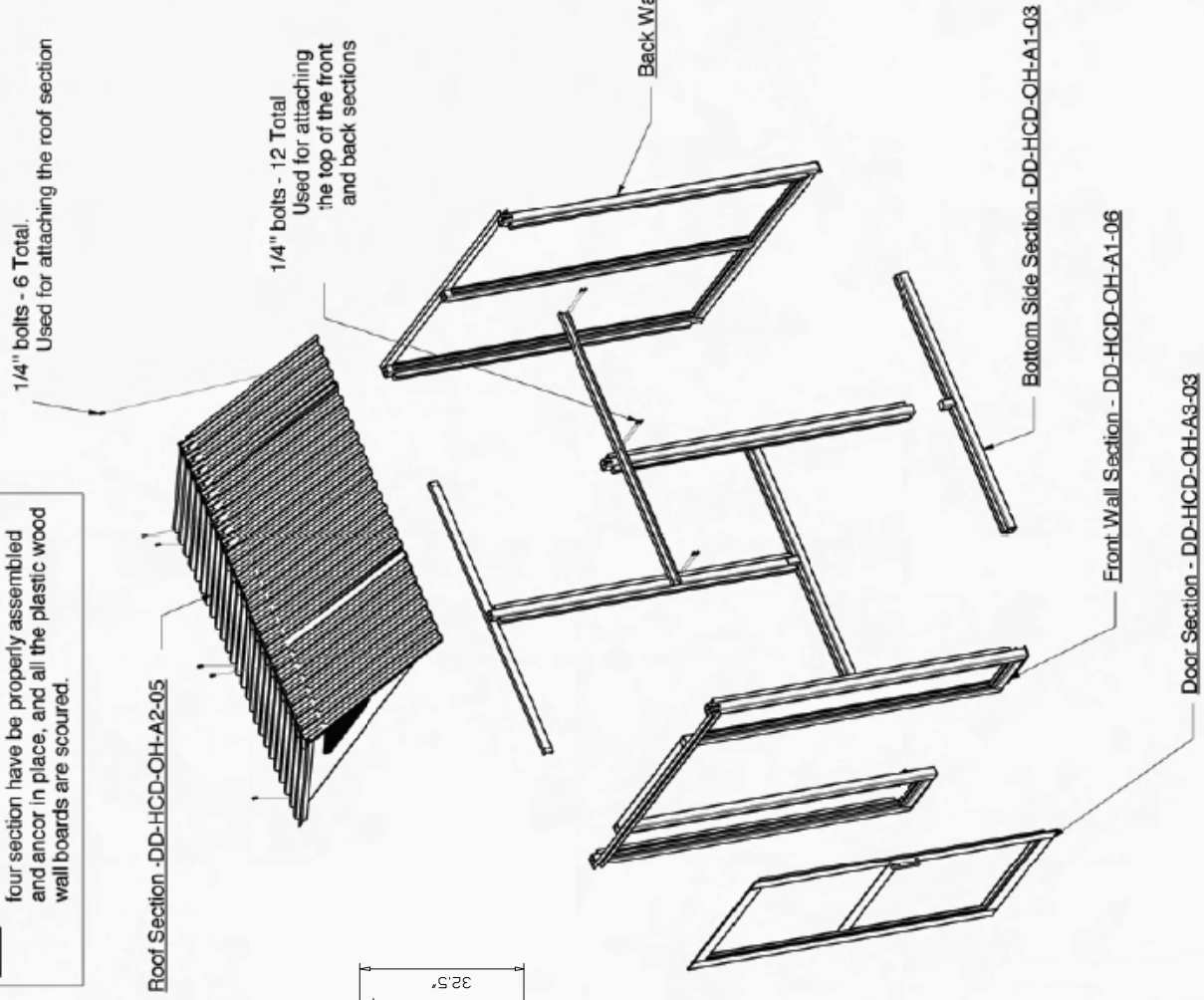
SIDE VIEW



FRONT VIEW



BOTTOM VIEW



Note: The Out House has been designed to be assemble onsite. six different sections make up the body of the Out House. Each section has been constructed for easy onsite assembly.

Drawing Title: Handicap Out House Assembly Drawing	
Date: 9/9/15	Drawn By: B.Sullivan
Scale: 1 : 40	Sheet: 1 of 1
	REV: A
	Material: Aluminum/Plastic



PROPRIETARY AND CONFIDENTIAL
 THE INFORMATION CONTAINED IN THIS DRAWING IS THE SOLE PROPERTY OF WISHBONE SITE FURNISHINGS.
 ANY REPRODUCTION IN PART OR AS A WHOLE WITHOUT THE WRITTEN PERMISSION OF WISHBONE SITE FURNISHINGS IS