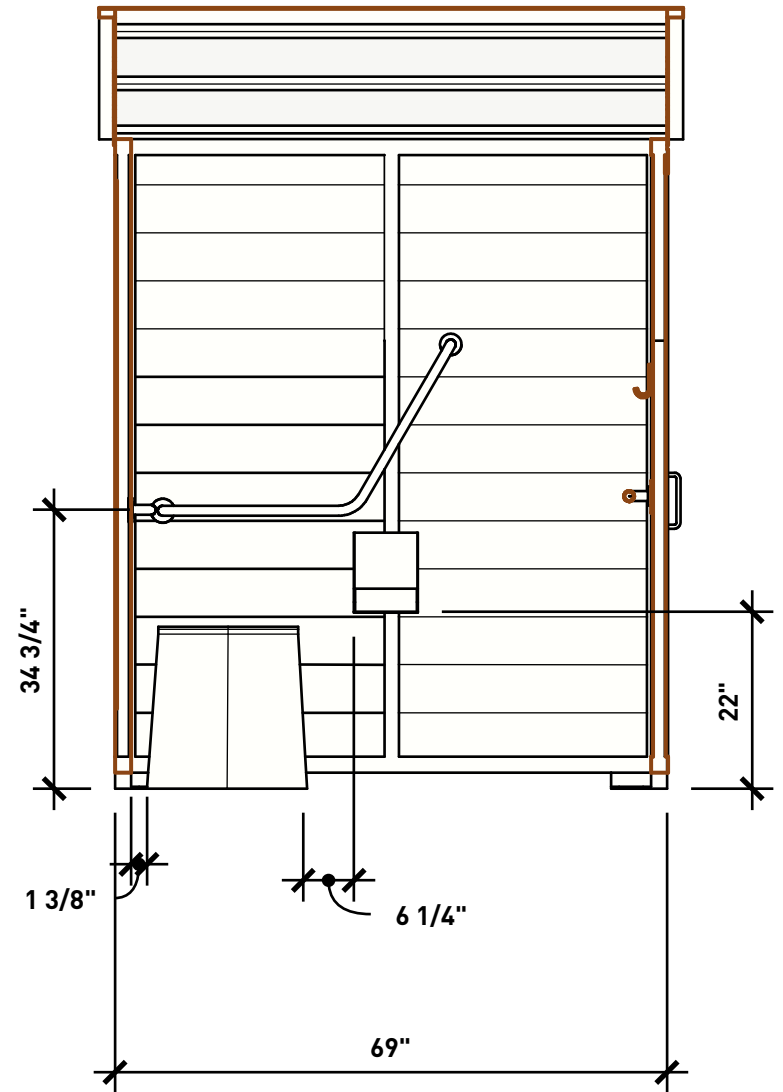
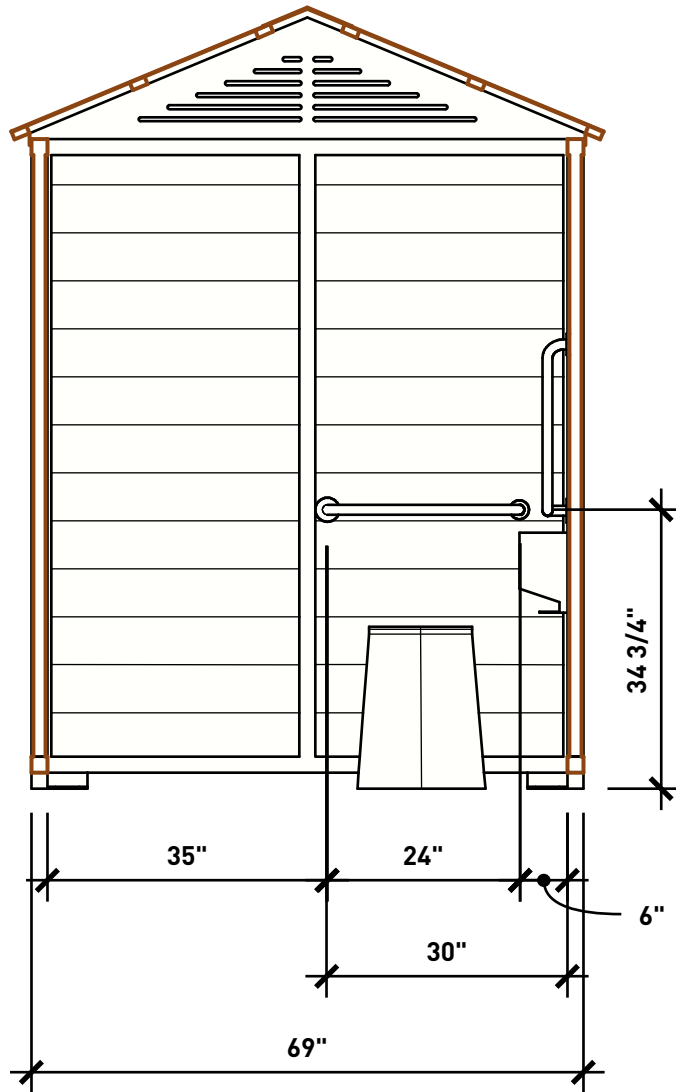


	WISHBONE SITE FURNISHINGS LTD 210-27090 GLOUCESTER WAY LANGLEY, BC			
	DWG. TITLE: HANDICAP ACCESSIBLE PIT TOILET BUILDING REVISION: 15/02/17 R:00			
MATERIAL: ALUMINUM	DWG. NO. DWSBHOH15021700	DRAWN BY: BRAD SULLIVAN		
PATTERN NO. N/A	MODEL NO. PTR-6H	SCALE: AS SHOWN	SHEET: 1 OF 4	DATE: 15 FEB 17





 Wishbone
 

 site furnishings

WISHBONE SITE FURNISHINGS LTD
 210-27090 GLOUCESTER WAY LANGLEY, BC

DWG. TITLE: HANDICAP ACCESSIBLE PIT TOILET BUILDING
REVISION: 15/02/17 R:00

MATERIAL:
 ALUMINUM

DWG. NO.
 DWSBHOH15021700

DRAWN BY:
 BRAD SULLIVAN

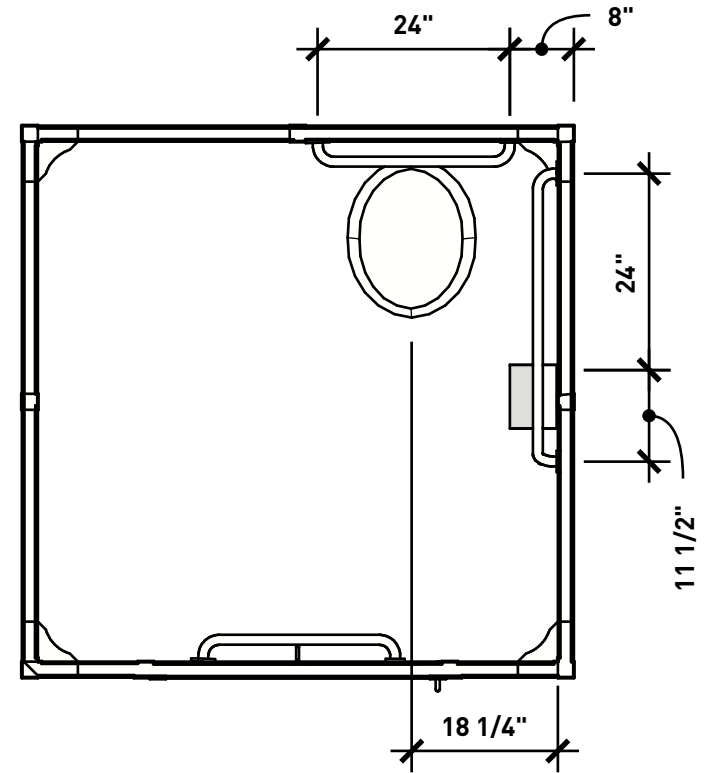
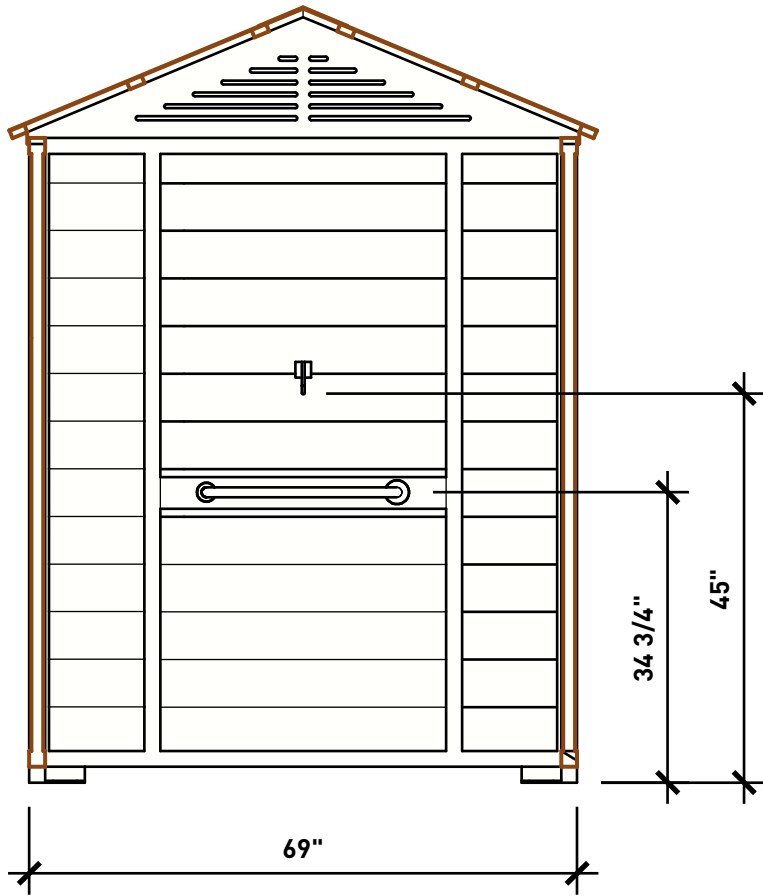
PATTERN NO.
 N/A

MODEL NO.
 PTR-6H

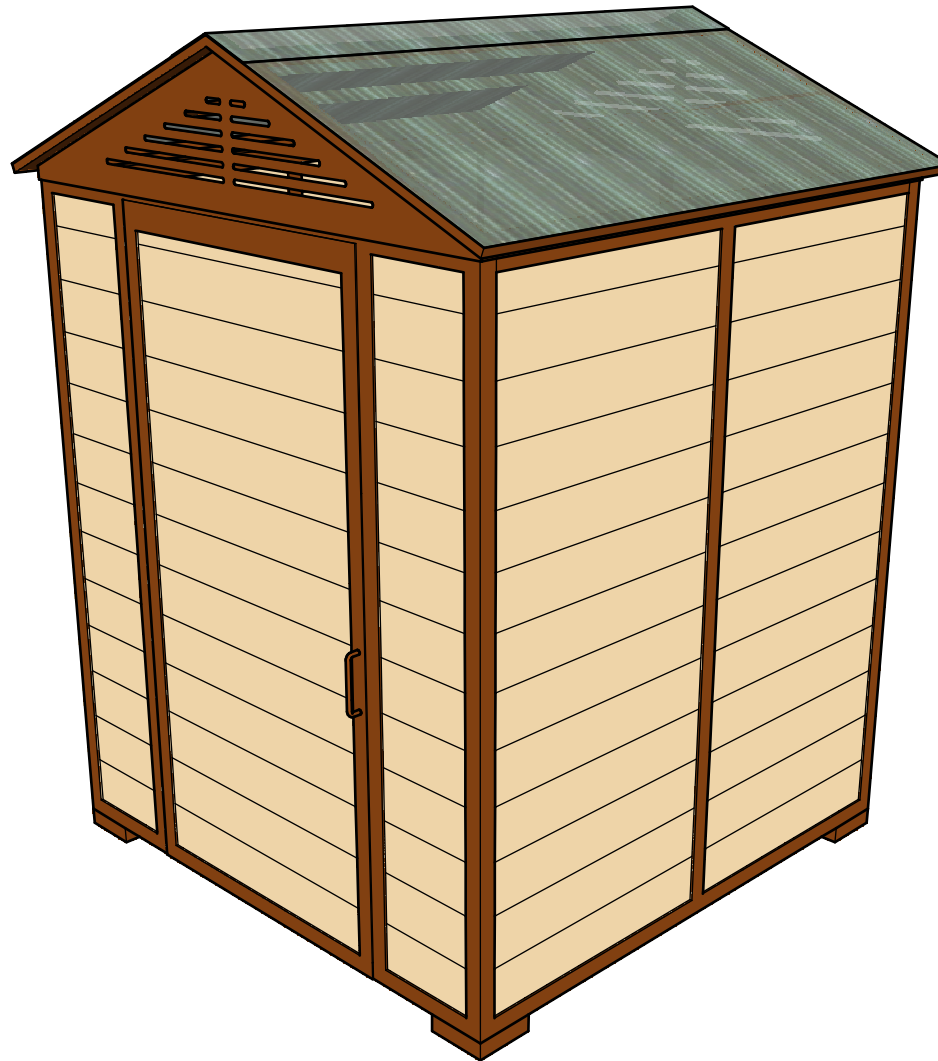
SCALE:
 AS SHOWN

SHEET:
 2 OF 4

DATE:
 15 FEB 17



	WISHBONE SITE FURNISHINGS LTD 210-27090 GLOUCESTER WAY LANGLEY, BC			
	DWG. TITLE: HANDICAP ACCESSIBLE PIT TOILET BUILDING REVISION: 15/02/17 R:00			
MATERIAL: ALUMINUM	DWG. NO. DWSBHOH15021700	DRAWN BY: BRAD SULLIVAN		
PATTERN NO. N/A	MODEL NO. PTR-6H	SCALE: AS SHOWN	SHEET: 3 OF 4	DATE: 15 FEB 17




 site furnishings

WISHBONE SITE FURNISHINGS LTD
 210-27090 GLOUCESTER WAY LANGLEY, BC

DWG. TITLE: HANDICAP ACCESSIBLE PIT TOILET BUILDING
REVISION: 15/02/17 R:00

MATERIAL:
 ALUMINUM

DWG. NO.
 DWSBHOH15021700

DRAWN BY:
 BRAD SULLIVAN

PATTERN NO.
 N/A

MODEL NO.
 PTR-6H

SCALE:
 AS SHOWN

SHEET:
 4 OF 4

DATE:
 15 FEB 17