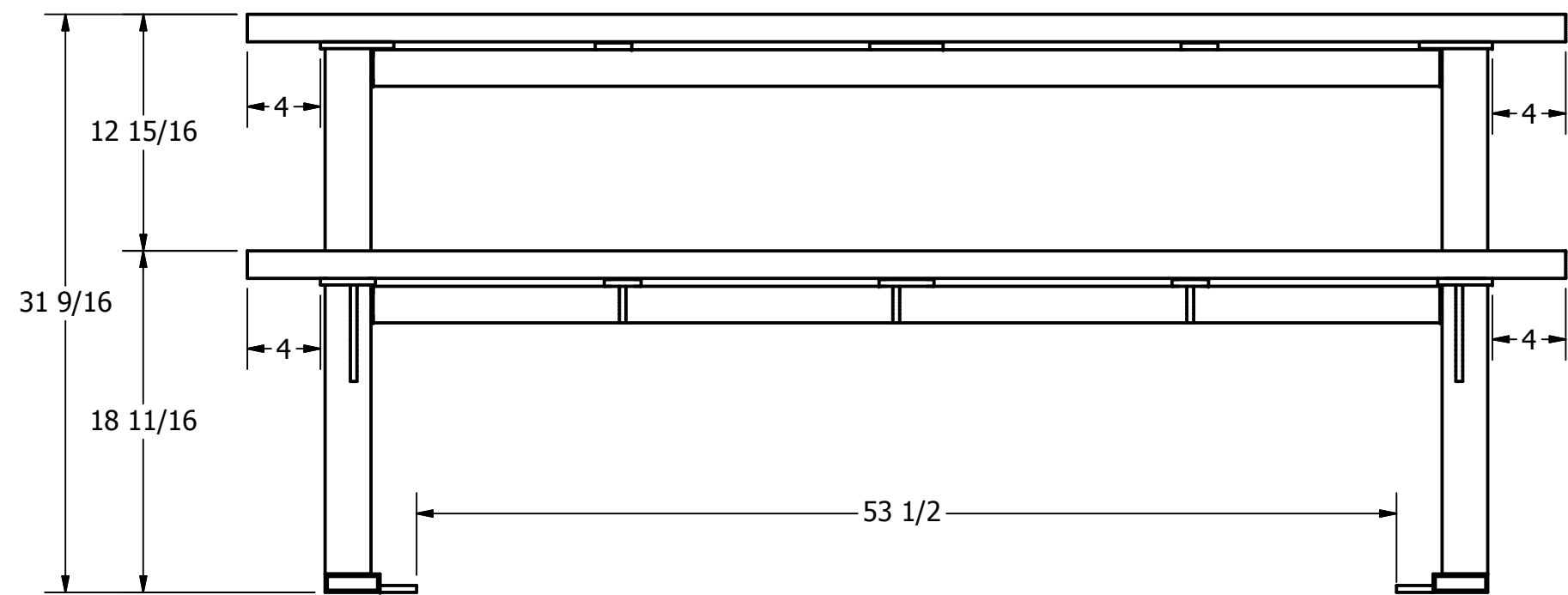
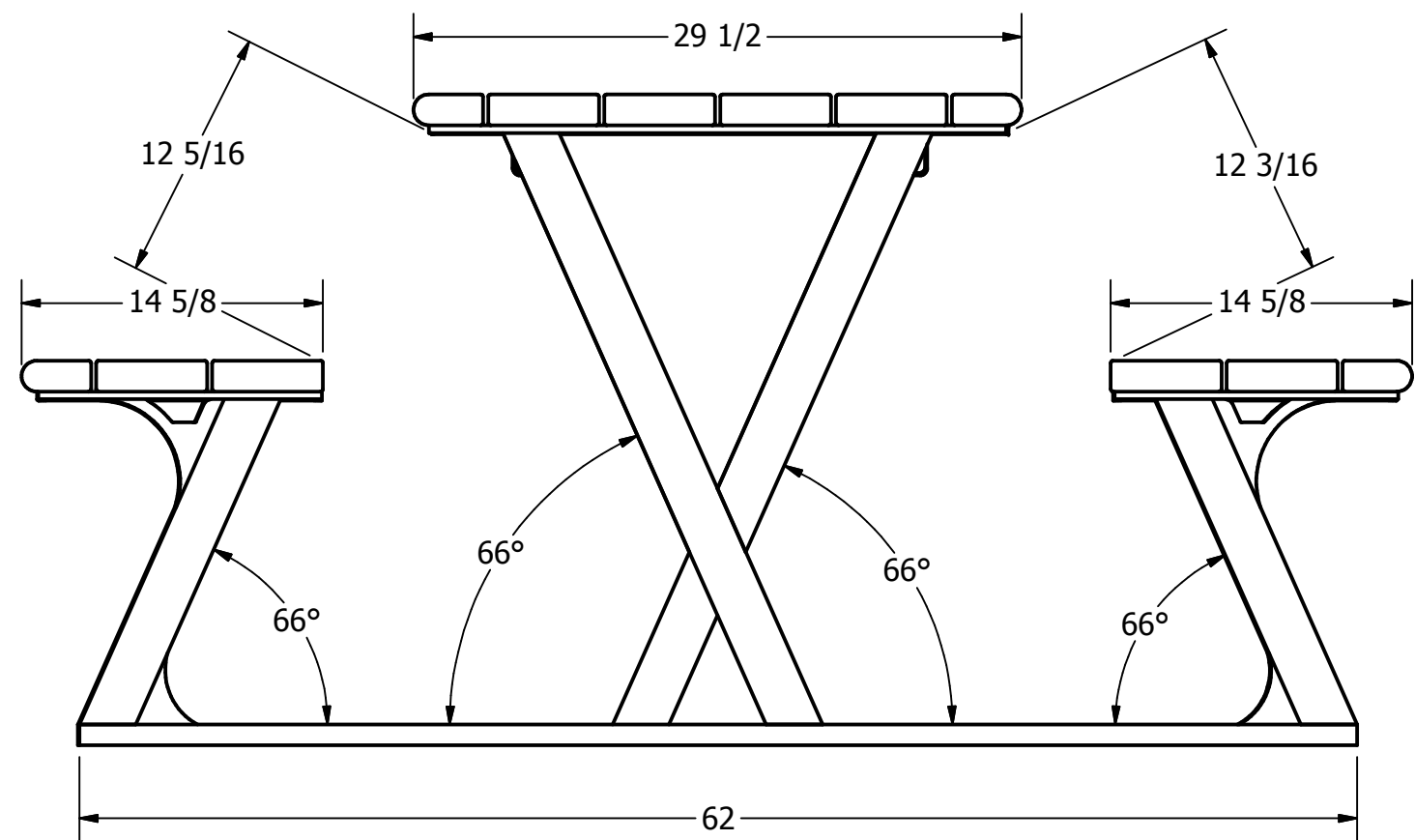
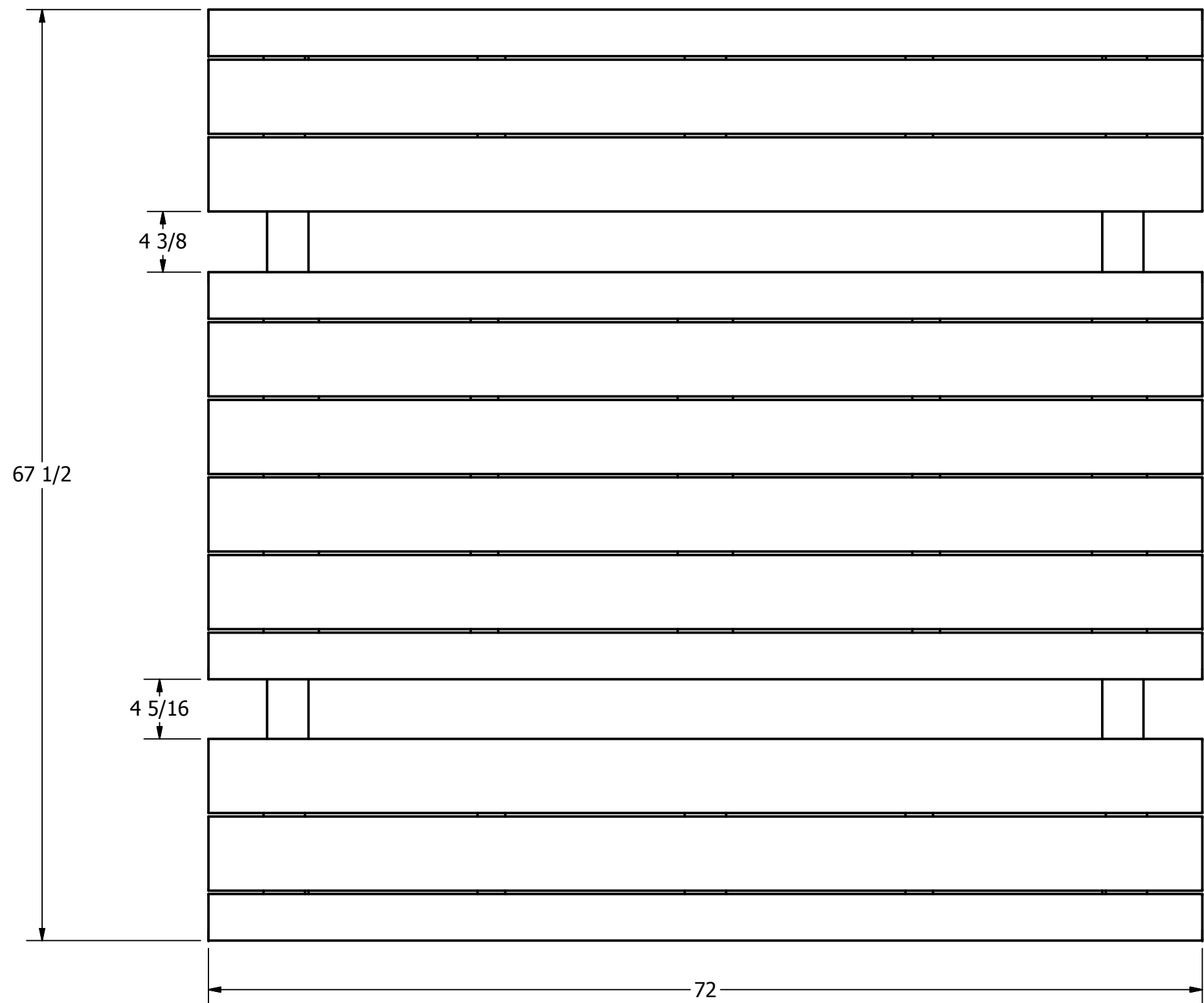


APPROXIMATE WEIGHT = 365 LBS



| | | | | |
|---|------------|--|-------------------------|-------------------|
| DRAWN DRESENER | 03/01/2009 | Wishbone Industries | | |
| CHECKED | | | | |
| QA | | | | |
| MFG | | | | |
| APPROVED | | TITLE | | |
| PROPRIETARY AND CONFIDENTIAL THE INFORMATION CONTAINED ON THIS DRAWING IS THE SOLE PROPERTY OF WISHBONE INDUSTRIES LTD. ANY REPRODUCTION IN PART OR WHOLE WITHOUT WRITTEN CONSENT OF WISHBONE INDUSTRIES LTD IS PROHIBITED. | | TOLERANCES UNLESS OTHERWISE SPECIFIED FRACTIONAL +/- 1/32 TWO DECIMAL +/- .015 THREE DECIMAL +/- .005 ANGLE +/- 1° | | |
| | | SIZE C | DWG NO BVPT-6 | REV NEW |
| | | SCALE | SHEET 1 OF 1 | |