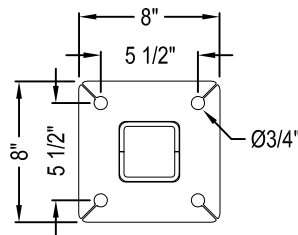




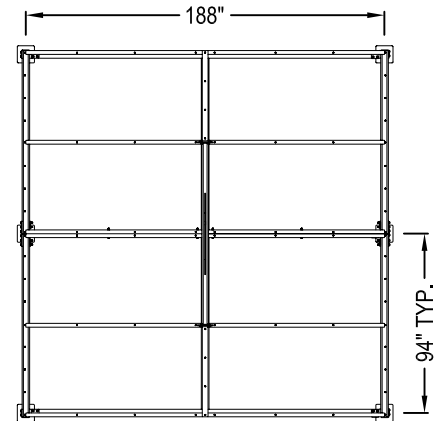
WISHBONE SITE FURNISHINGS  
 #109-27090 GLOUCESTER WAY  
 LANGLEY, BC V4W 3Y5  
 TOLL FREE: 1-866-626-0476  
 PHONE: (604) 626-0476  
 FAX: (604) 626-0496  
 www.WishboneLtd.com

**GENERAL NOTES:**

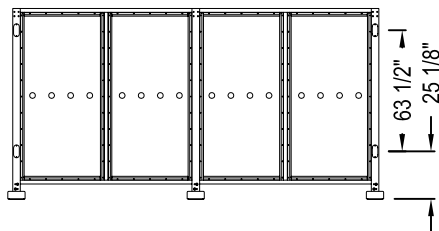
- ALUMINUM CONSTRUCTION POWDER COAT
- FINISH 4.5MM DURAPLEX CLEAR ACRYLIC ROOF SHEETING
- 10MM TEMPERED GLASS WALL PANELS SHIPPED
- WEIGHT ~2500LBS



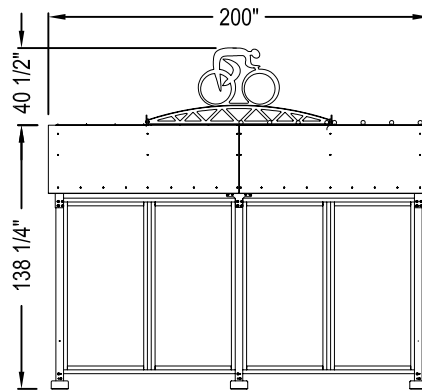
**BASE PLATE DETAIL  
TOP VIEW**



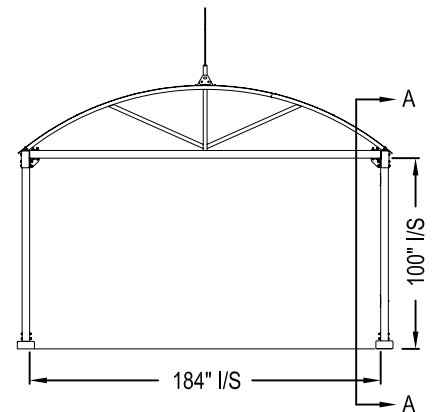
**TOP VIEW  
ROOF SHEETING NOT SHOWN**



**SECTION A-A  
INSIDE WALL DETAIL  
ROOF NOT SHOWN**



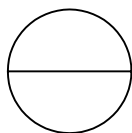
**SIDE VIEW**



**FRONT VIEW**

**NOTES:**

1. INSTALLATION TO BE COMPLETED IN ACCORDANCE WITH MANUFACTURER'S SPECIFICATIONS.
2. DO NOT SCALE DRAWING.
3. THIS DRAWING IS INTENDED FOR USE BY ARCHITECTS, ENGINEERS, CONTRACTORS, CONSULTANTS AND DESIGN PROFESSIONALS FOR PLANNING PURPOSES ONLY. THIS DRAWING MAY NOT BE USED FOR CONSTRUCTION.
4. ALL INFORMATION CONTAINED HEREIN WAS CURRENT AT THE TIME OF DEVELOPMENT BUT MUST BE REVIEWED AND APPROVED BY THE PRODUCT MANUFACTURER TO BE CONSIDERED ACCURATE.
5. CONTRACTOR'S NOTE: FOR PRODUCT AND COMPANY INFORMATION VISIT [www.CADdetails.com/info](http://www.CADdetails.com/info) AND ENTER REFERENCE NUMBER 4289-033.



**BICYCLE RACKS AND SHELTERS**

BIKE RACK SHELTER (BRS-1616)