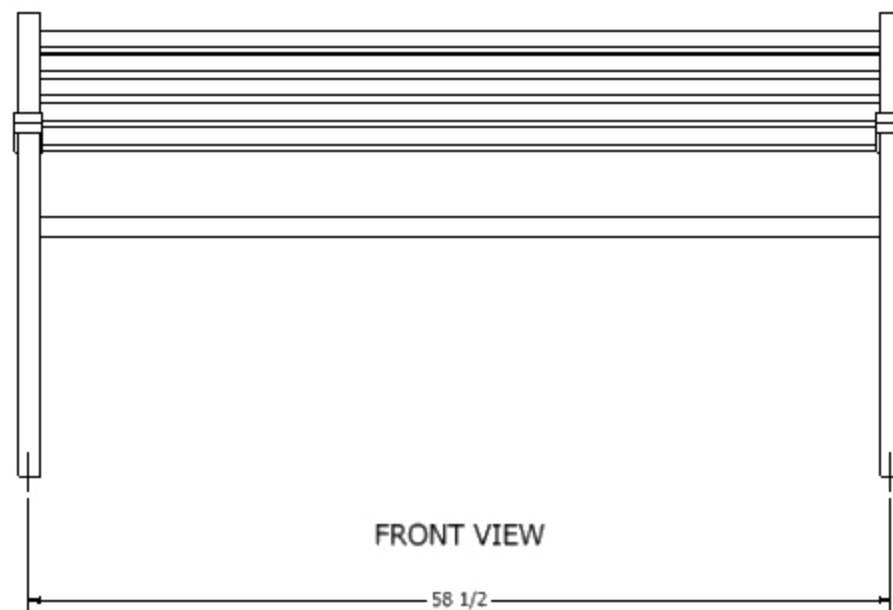




TOP VIEW

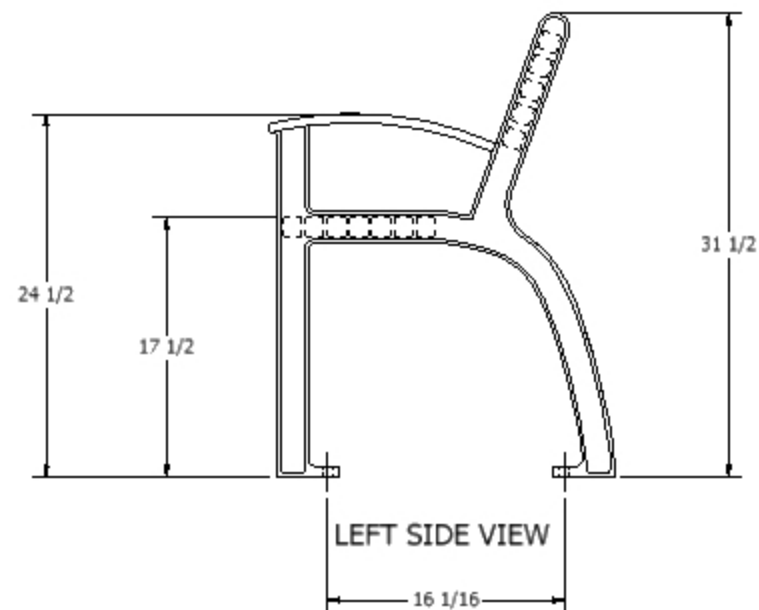
60 1/2

23 1/2



FRONT VIEW

58 1/2



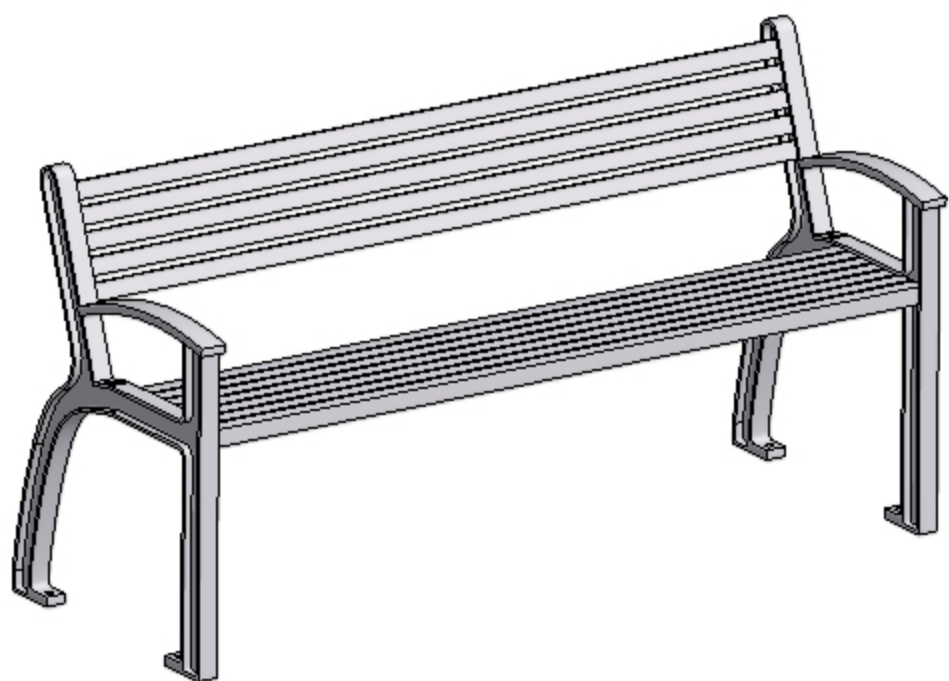
LEFT SIDE VIEW

24 1/2

17 1/2

31 1/2

16 1/16



DRAWN	SAR	1/25/2010
CHECKED		
CUSTOMER SIGNATURE		
MFG		
APPROVED		
<small> I HEREBY CERTIFY THAT THE INFORMATION CONTAINED HEREIN IS TRUE AND CORRECT TO THE BEST OF MY KNOWLEDGE AND BELIEF. </small>		

TITLE		
BESELT PARK BENCH - ALL ALUMINUM		
SIZE	DWG NO	REV
C	BAL-5	
SCALE	SHEET 1 OF 1	