

# 100W FH CONSTANT VOLTAGE LED DRIVERS

BL-FH-CV-24V-100W



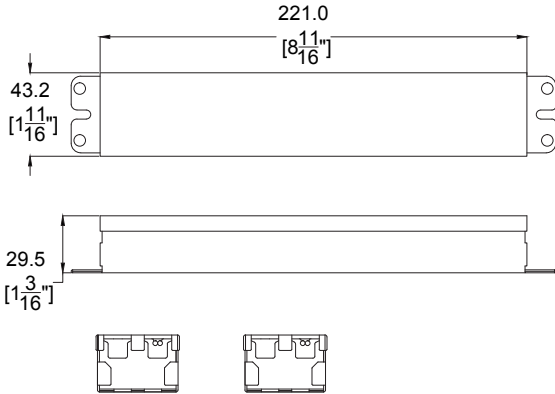
## APPLICATION

- Constant Voltage DC Output Power Supply for LED Lighting
- Dry Locations - Must be installed in Electrical Junction Box

## ELECTRICAL

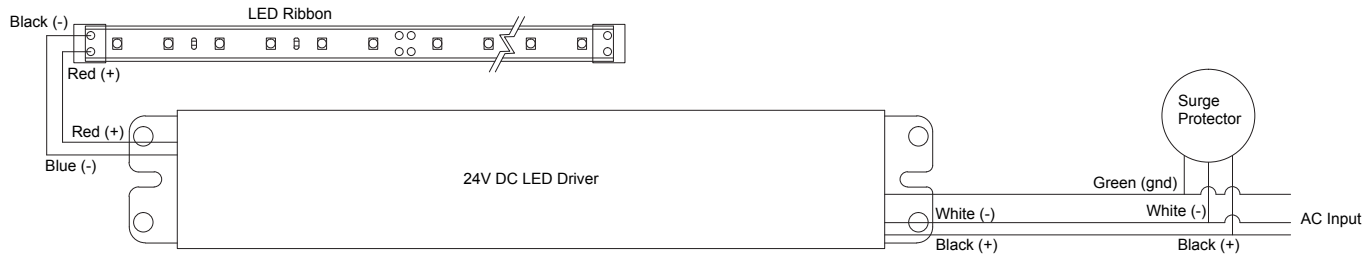
Input Voltage	120V - 277VAC 50/60 Hz
Max Input Current	120V - 0.92A 277V - 0.41A
Output Voltage	24VDC Constant voltage
Power	100W
Max Current	4.17A
Connections	18 AWG Copper conductors
Min Load	20% - 25%
Efficiency	120V full load - 87%
Power Factor	0.9
Operating Temp.	-40°C to 57°C (-40°F to 70°F)
Circuit	Class 2

## DIAGRAMS - DIMENSIONS

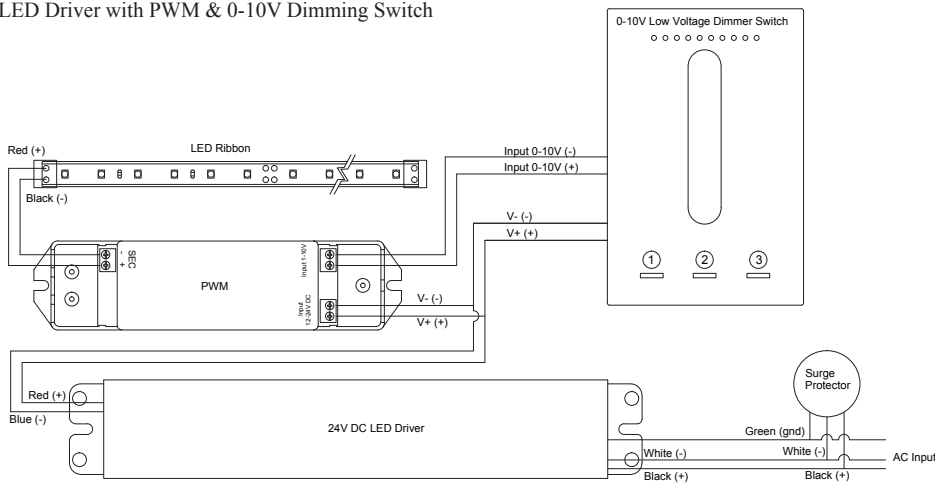


## CONNECTION DIAGRAM

LED Driver with LED Ribbon & Surge Protector



LED Driver with PWM & 0-10V Dimming Switch



Actual wire colours may vary - follow labels on the units  
Recommended to add 10% buffer when sizing power supply  
LED drivers require enclosures

## ORDERING

100W 24V FH LED Driver  
BL-FH-CV-24V-100W

Enclosure  
BL-ENC-HNG-M  
BL-ENC-SCI-W-M  
BL-ENC-PVC-M

Surge Protector  
BL-SP-277-20KA

Dimming Module  
BL-PWM-12/24V-1CH  
BL-PWM-12/24V-3CH

Dimming Switch  
BL-DIM-SLIDE  
BL-DIM-TOUCH

Solid State Lighting is sensitive to power fluctuations  
Surge protection is highly recommended for all LED lighting products and should be on a designated circuit to protect against premature failure  
Lack of surge protection may void your warranty

BL-FH-CV-24V-100W - Page 1 -  
09.29.2015

Specifications subject to change without notice



INNOVATIVE  
LIGHTING

111 - 8838 Heather St. Vancouver BC Canada V6P 3S8  
Ph: 1-604-874-4405 • Fx: 1-604-321-0445 • www.bllighting.com • sales@bllighting.com