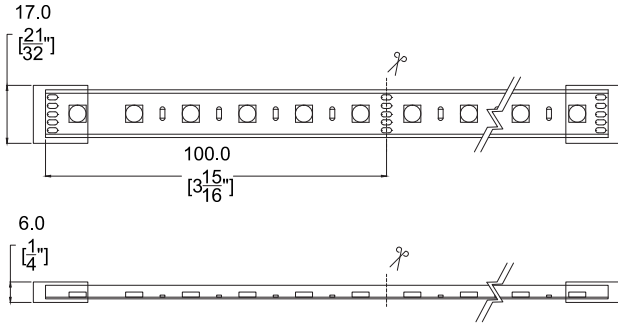


24V RGBW LED RIBBON

BL-RBN-HD-24V-RGBW



DIAGRAMS - DIMENSIONS



SAMPLE APPLICATION



MAX LENGTH PER DRIVER

Power	Max Length
25 W	1.2 m (5 ft)
60 W	4 m (13 ft)
100 W	6.7 m (22 ft)

*Other driver wattages available


**Can be composed of multiple runs, cannot exceed max single run length

APPLICATION

- Indoors or Outdoors - Wet or Dry locations
- Accent Lighting
- Cove Lighting
- Decorative Highlights
- Architectural, Building, Linear Outlining



LIGHTING

LED	SMD 5050 RGBW LED 60 LED/m (18 LED/ft)
Beam Angle	120°
Colour	RGBW 
Avg Life	50,000 hr
Lumen Output	700 lm/m (213 lm/ft)
Efficacy	48 lm/W

ELECTRICAL

Input Voltage*	24VDC
Connections	Order Termination Kits or solder leads in field
Power Draw	14.4 W/m (4.5 W/ft)
Operating Temp	-20°C to 40°C (-4°F to 104°F) High ambient temperature will shorten LED life
Circuit	In parallel

*Do not plug directly into 120V

MECHANICAL

Housing Construction	Flexible PCB Board Silicone jacket
Min Cut Length	10 cm (3-15/16") 6 LEDs per cut
Max Run Length	5 m (16'-4")
Weatherability	IP65 Splash proof
Bend Radius	Medial bend of 38 mm (1.5")

ACCESSORIES

Mounting

BL-RBN-CLP	Silicone Mounting Clip
BL-RBN-DSIDE-TAPE	Double sided tape - 1 roll of 50 m (164 ft)
BL-LOCTITE	Concrete surface clear adhesive (300 ml)
BL-DOW832	Silicone rubber adhesive sealant (300 ml)

Termination

BL-RBN-TK-RGBW	Termination Kit (required per Ribbon run) - 3ft 20AWG Lead Wire installed - End Caps
BL-RBN-JC	Ribbon Light Jumper Cable Termination
BL-RBN-CAP	Cap for Ribbon Light



ORDERING

RGBW LED Ribbon
BL-RBN-HD-24V-RGBW

Termination
BL-RBN-RGBW-TK
BL-RBN-CAP
BL-RBN-JC

Mounting
BL-RBN-CLP
BL-LOCTITE
BL-RBN-DSIDE-TAPE

LED Driver
BL-FH-CV-24V-xx
BL-HTC-CV-24V-xx
BL-GH-CV-24V-xx

DC Transformer
BL-MAG-DC-24V-xx

Enclosure
BL-ENC-SCW-xx
BL-ENC-PVC-xx

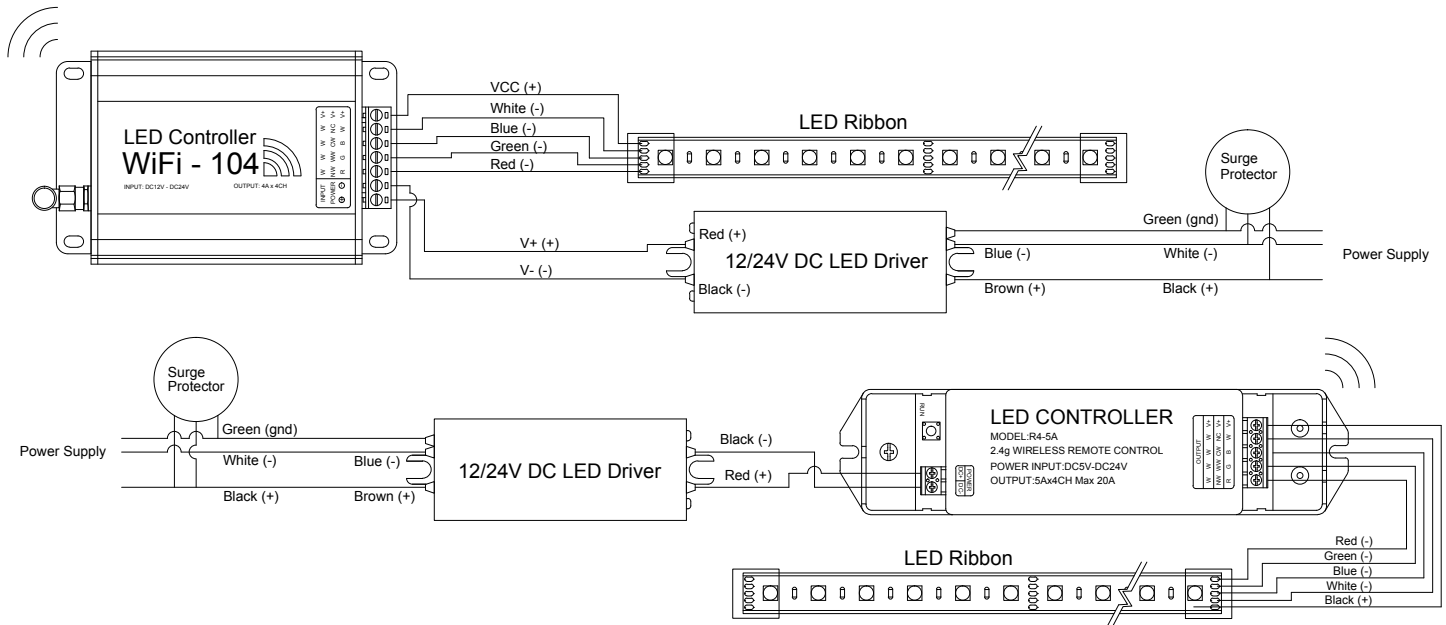
Controller
BL-CTRL-WIFI

Surge Protector
BL-SP-277-20KA

Controller Accessory
BL-AMP-WIFI

CONNECTION DIAGRAM

RGBW LED Ribbon with WIFI Controller



Actual wire colours may vary - follow labels on the units
Recommended to add 10% buffer when sizing power supply
LED drivers require enclosures

