

# 60W FH CONSTANT VOLTAGE LED DRIVERS

BL-FH-CV-24V-60W



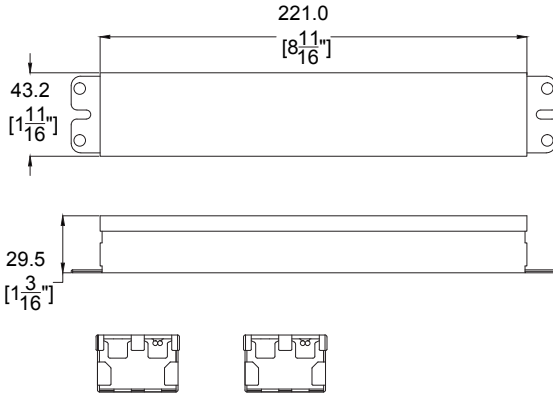
## APPLICATION

- Constant Voltage DC Output Power Supply for LED Lighting
- Dry Locations - Must be installed in Electrical Junction Box

## ELECTRICAL

Input Voltage	100V - 277VAC 50/60 Hz
Max Input Current	100V - 0.71A 277V - 0.26A
Output Voltage	24VDC Constant voltage
Power	60W
Max Current	2.5A
Connections	18 AWG Copper conductors
Min Load	20% - 25%
Power Factor	0.9
Operating Temp.	-20°C to 60°C
Circuit	Class 2

## DIAGRAMS - DIMENSIONS

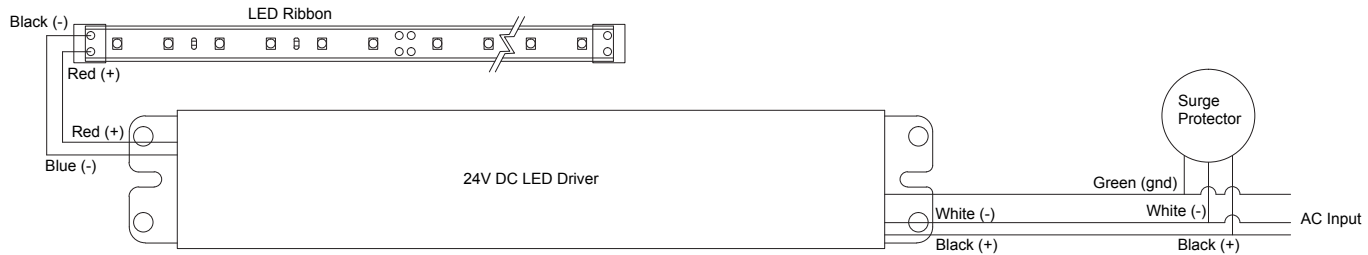


## MECHANICAL

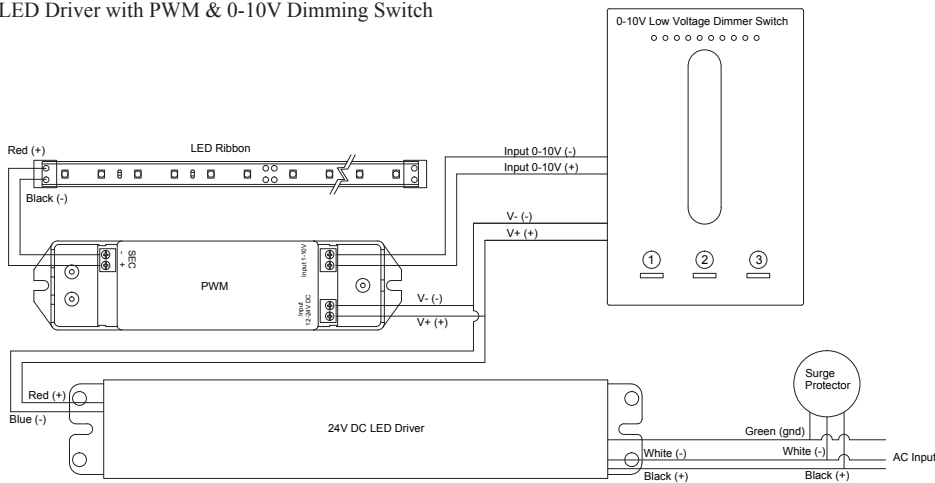
Housing Construction	Metal
Weatherability	IP64
Weight	634 g (22.4 oz)
Enclosure Size	Medium

## CONNECTION DIAGRAM

LED Driver with LED Ribbon & Surge Protector



LED Driver with PWM & 0-10V Dimming Switch



Actual wire colours may vary - follow labels on the units  
Recommended to add 10% buffer when sizing power supply  
LED drivers require enclosures

## ORDERING

100W 24V FH LED Driver  
BL-FH-CV-24V-100W

Enclosure  
BL-ENC-HNG-M  
BL-ENC-SCIW-M  
BL-ENC-PVC-M

Surge Protector  
BL-SP-277-20KA

Dimming Module  
BL-PWM-12/24V-1CH  
BL-PWM-12/24V-3CH

Dimming Switch  
BL-DIM-SLIDE  
BL-DIM-TOUCH

Solid State Lighting is sensitive to power fluctuations  
Surge protection is highly recommended for all LED lighting products and should be on a designated circuit to protect against premature failure  
Lack of surge protection may void your warranty

BL-FH-CV-24V-100W - Page 1 -  
09.29.2015

Specifications subject to change without notice



INNOVATIVE  
LIGHTING

111 - 8838 Heather St. Vancouver BC Canada V6P 3S8  
Ph: 1-604-874-4405 • Fx: 1-604-321-0445 • www.bllighting.com • sales@bllighting.com