

PEDESTAL BISTRO TABLE 2 SEAT

Model Number : PBT-2



PRODUCT SPECIFICATIONS

Durable Powder Coated Aluminum Frame

Standard Colours: Brown Slate, Victor Ridge II, Nordic Lichen, Timeless Rust, Grey Gold, Textured Silver, Precious Sand, Groovy Red, Black Textured, Earth Clay, Noble Bronze, Modern Khaki

Long Lasting Stainless Steel Hardware

CUSTOMIZED SOLUTIONS

Custom Powder Coating (Setup Charges May Apply)

Custom Branding of Seat and Table Sections

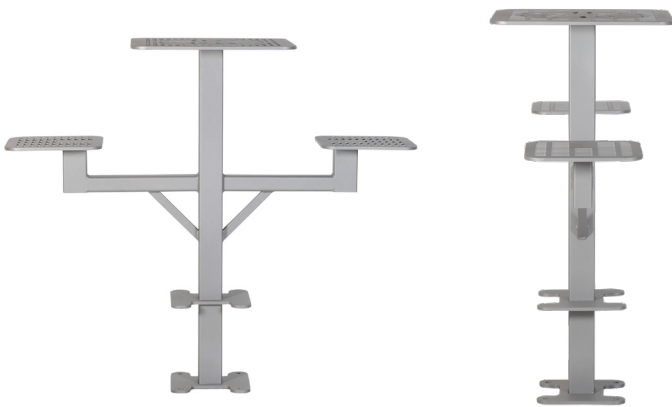
INST- 2.75 Stainless Steel Wedge Anchor Bolt Down Kit

PRODUCT DIMENSIONS

Table Height	44 inches / 1118mm
Table Top	20x20 inches / 508x508mm
Seat Height	30.5 inches / 775mm
Seat Depth	12x12 inches / 305x305mm
Total Length	51 inches / 1295mm
Total Width	20 inches / 508mm
Weight	36lbs / 16kg

RECYCLED CONTENT

0% RECYCLED CONTENT BY WEIGHT
100% RECYCLABLE



DESIGNER NOTES

The Pedestal Bistro Table is a versatile, extremely small footprint, 2-seat, outdoor table. Its powder-coated aluminum frame is light, robust, and easy to clean and maintain. The top surfaces are “perforated” with an attractive pattern to reduce the temperature of the metal in direct sunlight by decreasing surface area and increasing airflow. To dress the product up and add some customization, the table top design can be customized with a logo.

Similarly to many of our other site furnishings, the Pedestal Bistro Table was created in response to a specific client conundrum: Municipalities, businesses, restaurants, and coffee shops with little-to-no footprint for outdoor seating. During the warm months of the year many owners want to take advantage of their business’s excellent location in conjunction with nice weather. This often leads to undersized, mismatched, temporary furnishings that detract instead of adding to the curb appeal of a business or streetscape. Here is where this product shines!



100% Canadian Made



Wishbone Ltd. provides an extended 10 year limited warranty from the date of invoice.



Visit us online at www.Wishboneltd.com